



Distribution boxes

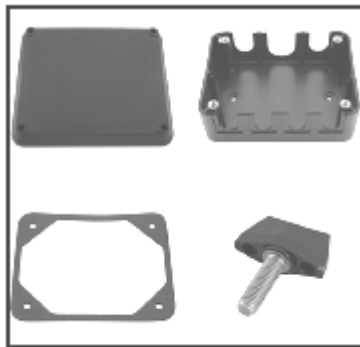
Terminal boxes

for corrugated tubes and cables
black

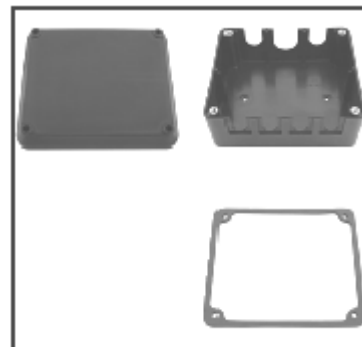
IP 54

Features:

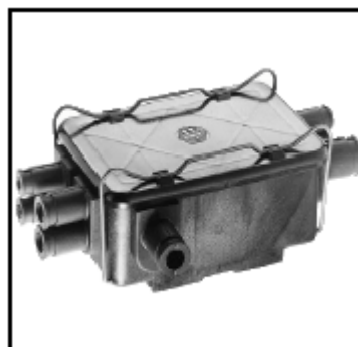
Secure and tight connection by means of simple locking in position. Connection bushes for corrugated tubes and cables have to be ordered additionally s. p. 144/145. IP 54 only for duly assembly on upright, concluded bearing surface.



Universal terminal box



Universal terminal box, big size



Distribution socket ZB



Universal junction board

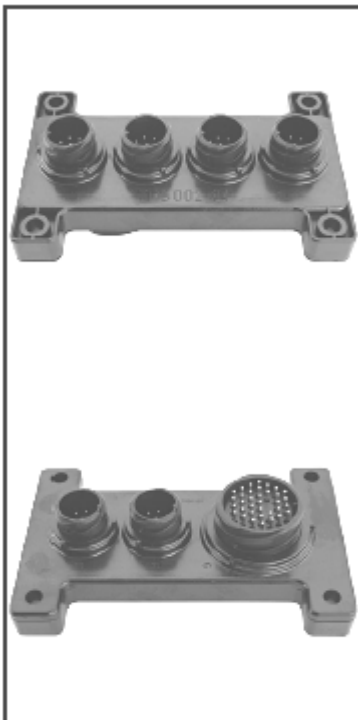


Characteristics:

Connection possible for 8-pole socket box Art. no. 7805098 (s. p. 110), cone Art. no. 9800611 (s. p. 109, 110, 134), angle cone Art. no. 9800603 (s. p. 109, 110, 134) with bayonet 16S and 37-pole plug Art. no. 7811373 (s. p. 124) with contacts

Features:

- Guaranteed complete electrical isolation through ultra-sonic welded compact housing
- Protection against dirt and water
- No corrosion at the contacts
- Simple and fast mounting
- Through the integrated circuit the wire connection in terminal boxes becomes obsolete



Universal junction box



Dust cap for universal junction box



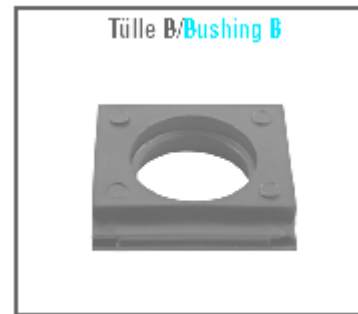
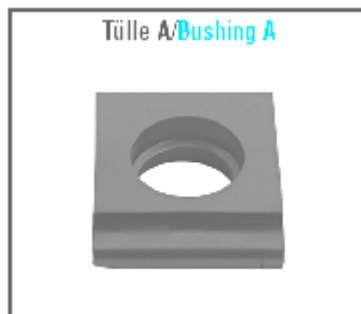
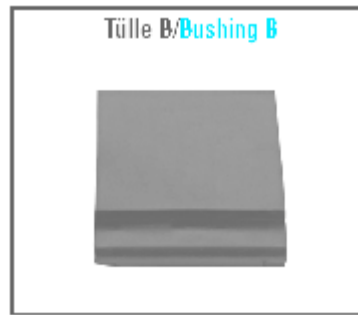
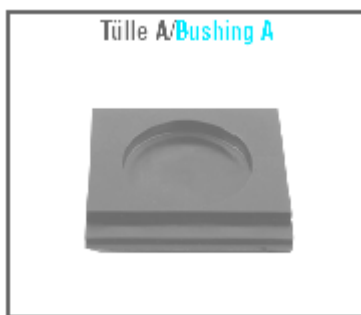
Bushing black

Material:
Polyvinylchloride



Application fields:

- for corrugated tubes and cables
- for use in terminal boxes, distributor sockets



Bushing



Application fields:

- for corrugated tubes and cables
- for use in terminal boxes, distributor sockets



Errors and omissions excepted.